

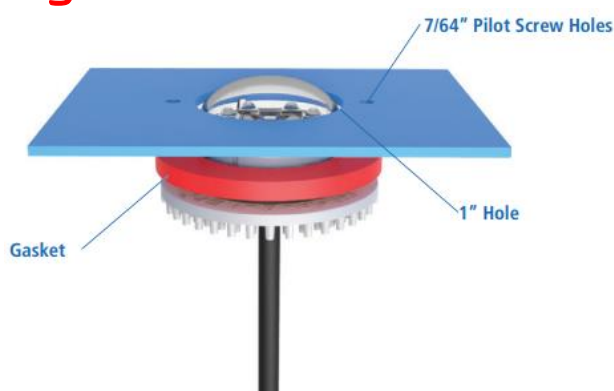


## Vibrant Hide-A-Blast series

C3-HB6PAK-B



### Surface or Concealed warning



### Key Benefits

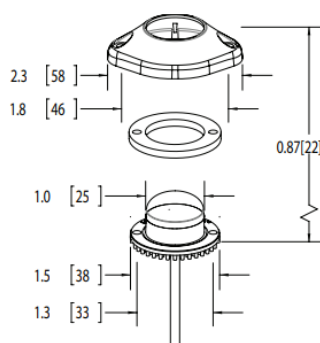
- > designed for vehicle headlight and tail light applications
- > also for surface mounting using the included mounting bezel
- > Seals in-line waterproof driver

### Design features

- > Operation Voltage: 12VDC / 24VDC (0,9A)
- > 6 1Watt LEDs
- > 16 flashing patterns
- > Synchronizable
- > Colorless when not illuminated
- > UV stabilized PC lens, nickel-plated housing
- > 9 inch cable
- > Conform: ECE R10 Class 1  
ECE R65 Class 1 / Class 2

### Specifications

#### LED HEAD



#### DRIVER MODULE

