

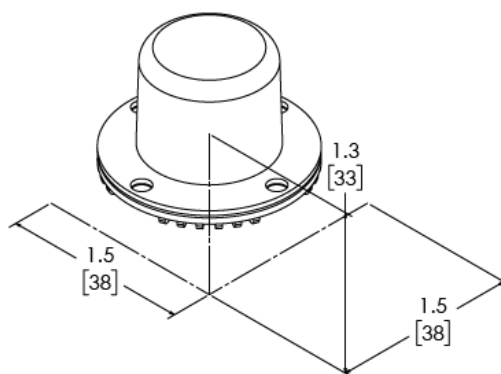


9 LED Hide-A-Blast series

C3-HB915R



Surface or Concealed warning



Key Benefits

- > Suitable for both horizontal and vertical mounting
- > Easily concealed in the bodywork and interior of a vehicle
- > Self-contained control module

Design features

- > Operation Voltage: 12VDC / 24VDC (0,6A)
- > 9 1Watt LEDs
- > 30 flashing patterns
- > Synchronizable
- > Colorless when not illuminated
- > UV stabilized PC lens, nickel-plated housing
- > 15 inch cable
- > Conform: ECE R10 Class 1
ECE R65 Class 1 / Class 2

Specifications

