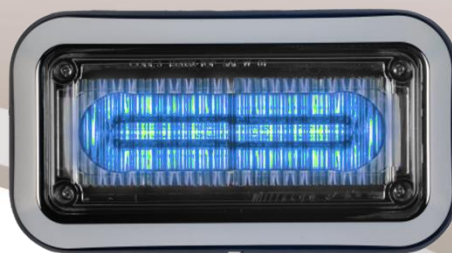


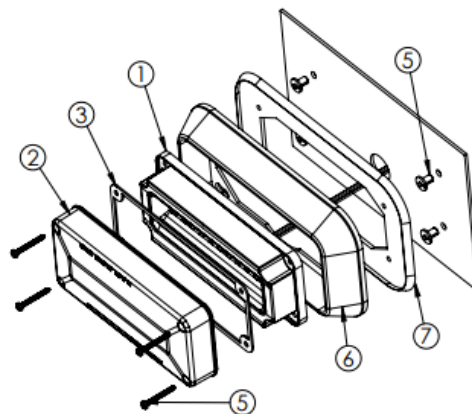


LED PriZm II Perimeter Lights

C3-3712CBBZ-75



Directional Warning for any Fire or EMS Apparatus



Key Benefits

- > Dual Reflector LED technology
- > Brighter and more focused Suitable for both horizontal and vertical mounting
- > Lens is field removable

Design features

- > Operation Voltage: 12VDC (1,7A)
- > Dimmable
- > 12 LEDs Single color
- > 30 flashing patterns
- > Synchronizable
- > Colorless when not illuminated
- > 8 inch cable
- > Conform: ECE R10 Class 1
ECE R65 Class 1 / Class 2

Specifications

