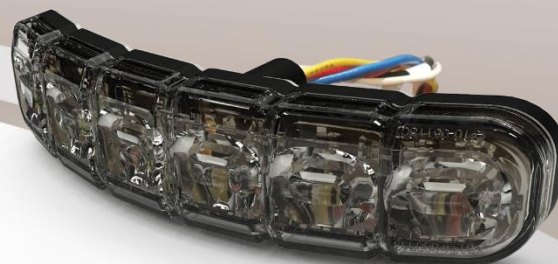
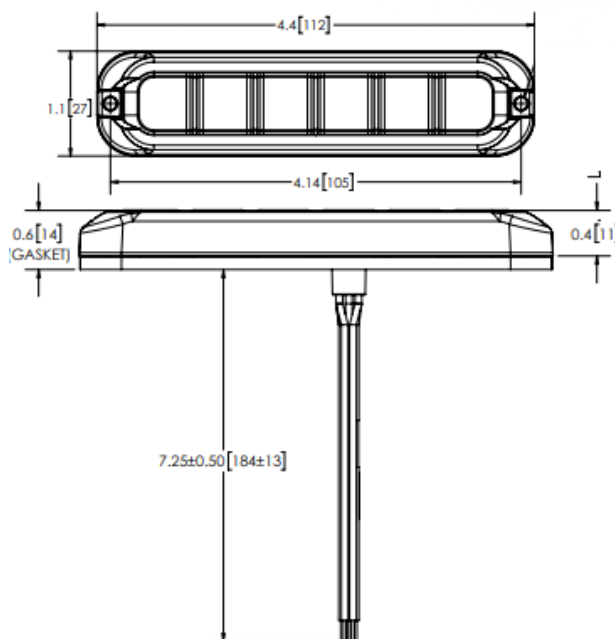




Ultraflex directionals Blue/White C3-CD3794BW



Dual color flexible light



Key benefits

- > For flat and curved surfaces
- > Silicone version intended against discoloration and deformation

Features

- > Dow Corning Materials
- > Synchronization possible
- > Resistant to aging
- > Supplied with 2 screws and VHP tape
- > Operation Voltage: 12-24VDC (0.8A Max)
10.7W
- > 12 DualColor LEDs
- > Weight: 0.05kg
- > -30°C to +50°C

Specifications

