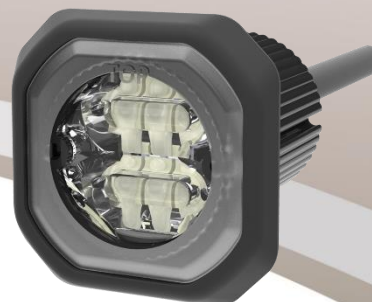




## Micropak series – Red/Blue C3-MICROPAKMC-RB



### Hide-a-LED Concealed warning Low Profile Surface Mount

#### Key benefits

- > Heavy Duty design
- > Waterproof connectors
- > 2 lighthoods / 1 flash controller

#### Specifications

- > Synchronize up to 15 units
- > Innovative and sustainable design
- > Reverse Polarity Protection
- > Aluminum housing finished with black powder coating
- > Lens in polycarbonate (impact resistant)
- > Weight: 0.038kg
- > Operation Voltage: 12-24VDC (0,6A) 15W
- > 2x 6 high performance LEDs
- > 69 flash patterns
- > IP67

