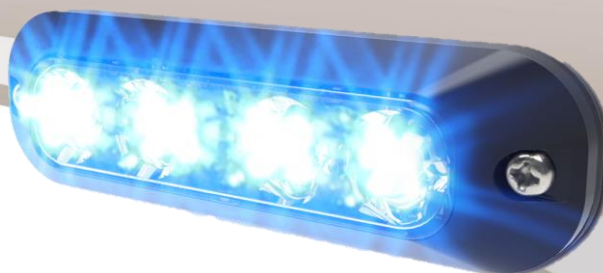
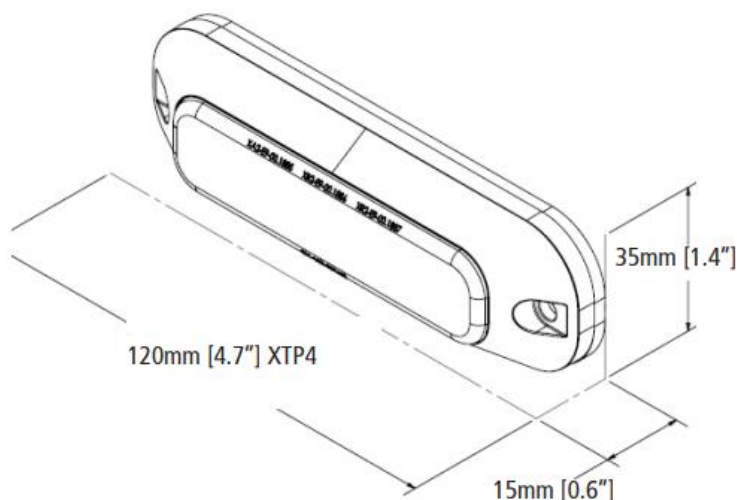




XTP4 Surface Mount LED- Blue/Blue C3-XTP4BB



Single Stack 4 Head LED



Key benefits

- > 4 powerful LEDs for excellent results
- > Ultra-full-fledged flash units

characterize

- > Innovative and sustainable design
- > Aluminium housing finished with black powder coating
- > Lens in polycarbonate (impact resistant)
- > Mounting kit included
- > Syncable
- > IP67

Specifications

- > Operation Voltage: 12/24VDC (0;7A)
- > 2x2 high performance LEDs
- > 30 flash patterns
- > Ambient temperature: -25°C to +65°C