



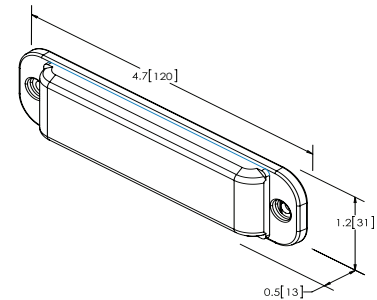
MEGA THIN SERIES

Ultra Thin Surface Mount LED



The Mega Thin LEDs are bright and versatile warning lights that are suited to a wide variety of applications. Their ultra-low profile makes them easy to install virtually anywhere on a vehicle. Both models offer wide angle optics and multiple flash patterns, including synchronisation with other units for simultaneous or alternating operation. ULT6 models feature 6 LEDs and are available in either single colour or dual-colour configurations (3 LEDs of each colour). The ULTMC is a dual-colour lamp with the colours powered independently enabling this lamp to give the functionality of two lamps, with the fitting time of one!

Dimensions



Models

PART NO.	COLOURS	VOLTAGE	AMPS
ULT6-A	Amber	12-24	0.9
ULT6-B	Blue	12-24	0.9
ULT6-W	White	12-24	0.9
ULT6-G	Green	12-24	0.9
ULT6-R	Red	12-24	0.9
ULT6-BA	Blue/Amber	12-24	0.9
ULT6-AW	Amber/White	12-24	0.9
ULT6-RA	Red/Amber	12-24	0.9
ULT6-BW	Blue/White	12-24	0.9
ULT6-RB	Red/Blue	12-24	0.9
ULTMC-BA	Blue/Amber	12-24	1.5
ULTMC-AW	Amber/White	12-24	1.5
ULTMC-RA	Red/Amber	12-24	1.5
ULTMC-BW	Blue/White	12-24	1.5
ULTMC-RB	Red/Blue	12-24	1.5

Features and Benefits

- Six or 12 high-intensity LEDs
- Ultra low-profile
- ULT6: single or dual colour options
- ULTMC: dual independently powered
- Single and dual colour models feature 29 flash patterns
- Dual colour models feature 62 flash patterns
- Synchronisable (max 8 units)
- Die cast base, polycarbonate lens
- Surface mount
- Temperature Range: -30°C to +50°C
- Dual voltage 12-24V
- Current consumption:
 - ULT6 1.0A@ 12VDC, 0.5A@ 24VDC
 - ULTMC 1.2A@ 12VDC, 0.6A@ 24VDC
- R65* Class I cat x approved
- R10.05 approved
- Meets IP67

*Certain flash patterns and colours only