



Controllers made simple for you !



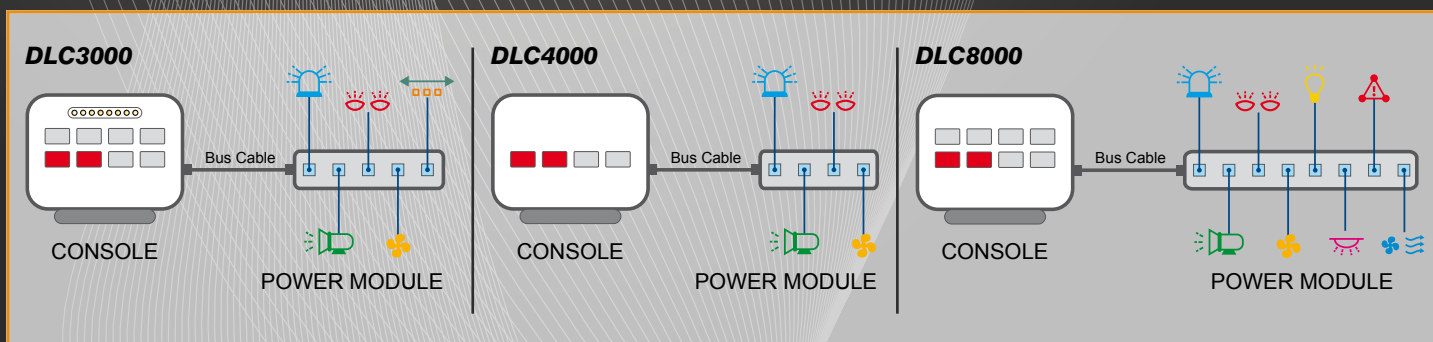
Easy Control

for auxiliary equipments on emergency & commercial vehicles



- Interlock Function
- Pictograms Collection
- Flashing Box
- Foot Mounting
- Key Backlighting
- Automatic Standby
- Manual Configuration
- Arrowstick Control

Product	Operating voltage	Quiescent current	Number of outputs	Number of inputs	Number of consoles	Number of keys	EMC
DLC3000	12-24 VDC	8 mA (12VDC)	3 pos. & 8 neg.	1 pos.: ignition 1 neg.: handbrake	1	8	e6 03 0331
DLC4000	12-24 VDC	8 mA (12VDC)	4 pos. & 2 neg.	1 pos.: ignition 1 neg.: handbrake	1	4	e6 03 0331
DLC8000	12-24 VDC	8 mA (12VDC)	8 pos. & 2 neg.	1 pos.: ignition 1 neg.: handbrake	1	8	e6 03 0331



Due to technological advances, the manufacturer reserves the right to modify the characteristics of this product without notice.

IDEATEC S.A. • Rue Trou du Sart 5a • B-5380 Fernelmont • Belgium
 Tel: +32(0)81 42 00 10 • Fax: +32(0)81 57 91 70 • Email: info@ideatec.be

www.ideatec.be