



*Instruction Manual*  
*Mounting Kit Volvo V90/XC90 ↔ Arrow 6*  
**15078**



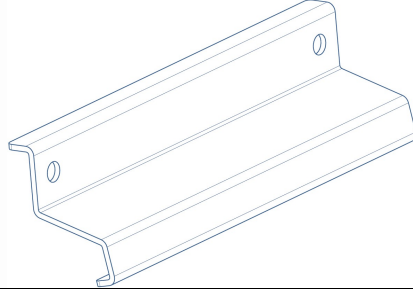
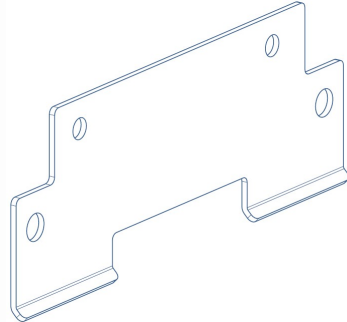
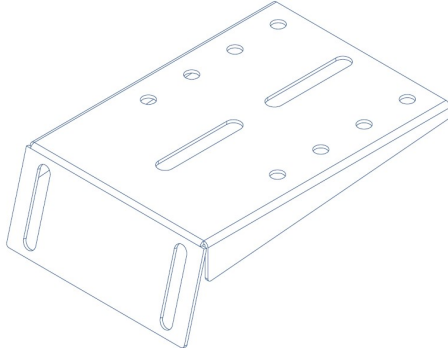


1. Objective

This instruction manual has an objective to assemble the mounting kit correctly onto a Volvo V90/XC90.

Those supports has to be assembled to the integrated roof rails of the vehicle. The wanted signalling panel will be placed on this mounting kit.

2. Necessities

Article Code	Description	Stock Location	Qty	Unit
TDLAR012001.01			4	Pcs
				
TDLAR012002.01			4	Pcs
				
TDLAR012003.01			4	pcs
				



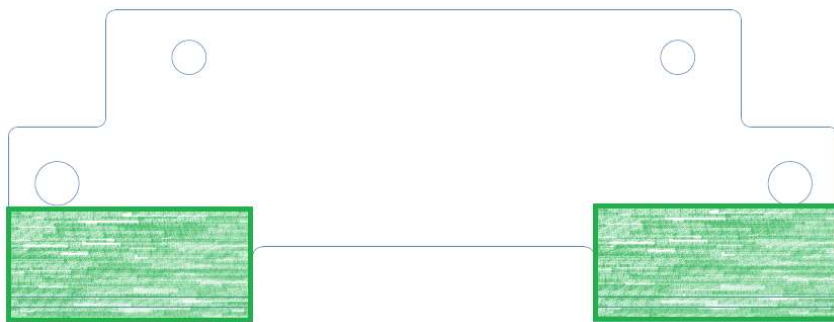
10166	Hexagon Head Bolt DIN933 M6X30 INOX 70	A3-1	8	pcs
10361	Plain Washer DIN 125A M6 RVS/Inox	A3-1	16	pcs
10165	Hexagon Head Bolt DIN933 M6X20 INOX 8.8	A3-1	8	pcs
10384	Prevailing Torque type Hexagon nut DIN985 (1987) M6 Inox A2	A3-1	8	pcs
15580	Plain Washer sluitring 3xd DIN9021 M6 Inox A2	A1-5	8	pcs
10362	Spring lock Washer with square ends DIN127B M6 INOX A2	A3-1	8	Pcs
10171	Hexagon Head Bolt DIN933 M8X30 INOX 8.8	A3-2	8	Pcs
12729	Prevailing Torque type Hexagon nut DIN985 (1987) M8 Inox A2	A3-2	8	Pcs
15694	Plain Washer DIN 125A M8 RVS/Inox	A3-2	16	Pcs
18004	Spring lock Washer with square ends DIN127B M8 INOX A2	A3-1	8	pcs
15492	Rubber strip 1200mm x 50mm x 1mm		(4x) 170	mm
15673	Rubber strip 1200mm x 40mm x 1mm		(4x) 2x 50	mm
16308	Rubber mat 400x500		1	pcs



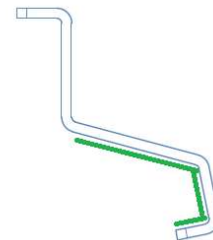
### 3. Preparation

#### a. Rubber strips

##### i. TDLAR012002.01 with 15673 (4x)



##### ii. TDLAR012001.01 with 15492 (4x)

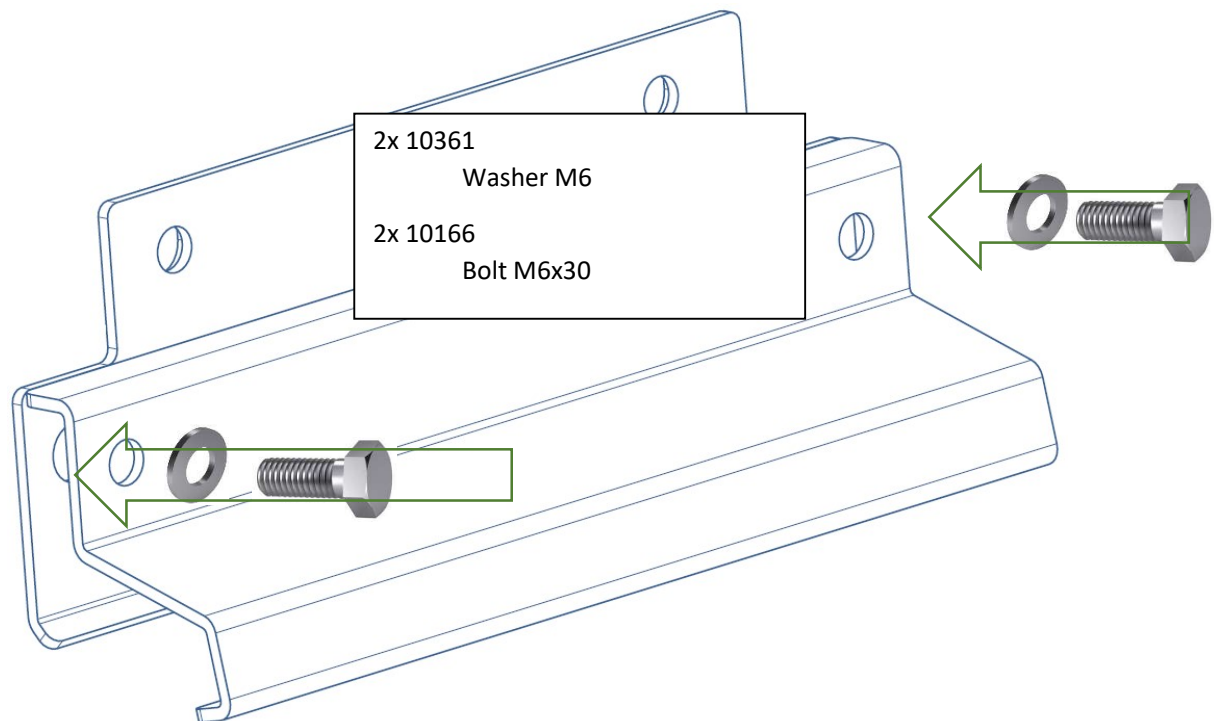




b. Roof rail support (4x)

Use the following items:

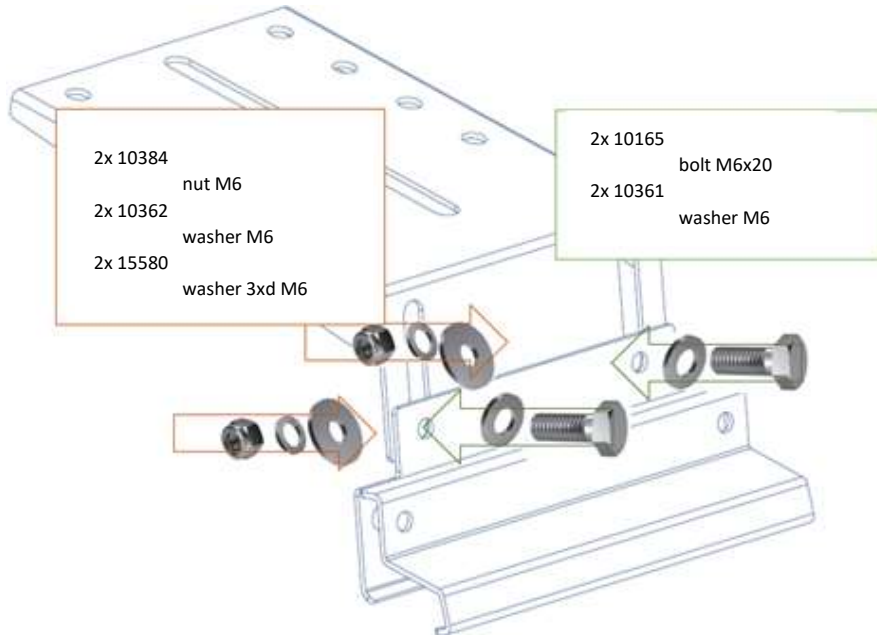
- TDLAR012001.01
- TDLAR012002.01



**Attention: Do not tighten the bolts**



a. Mounting support (4x)



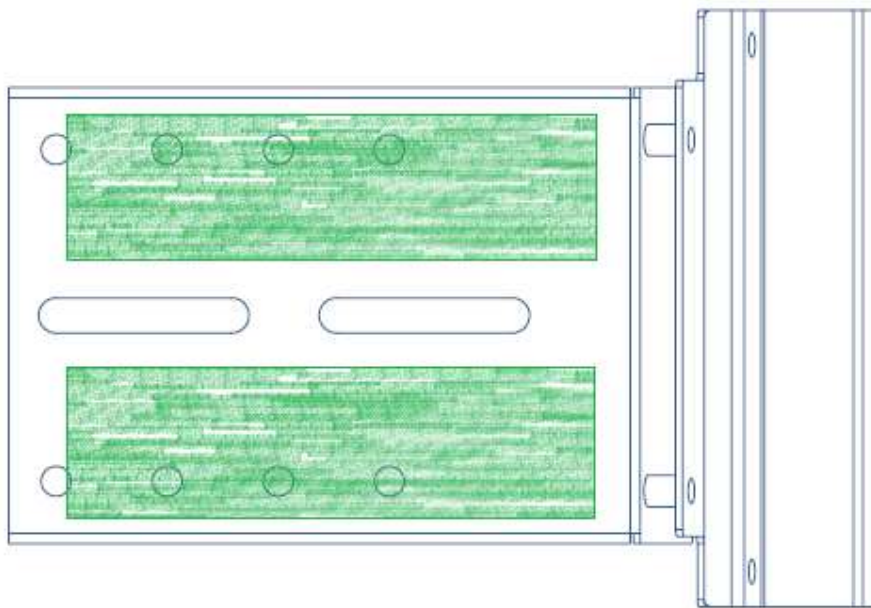
Cut off 8 strips of 150mm x 50mm from Article Code 16308

450mm			500mm





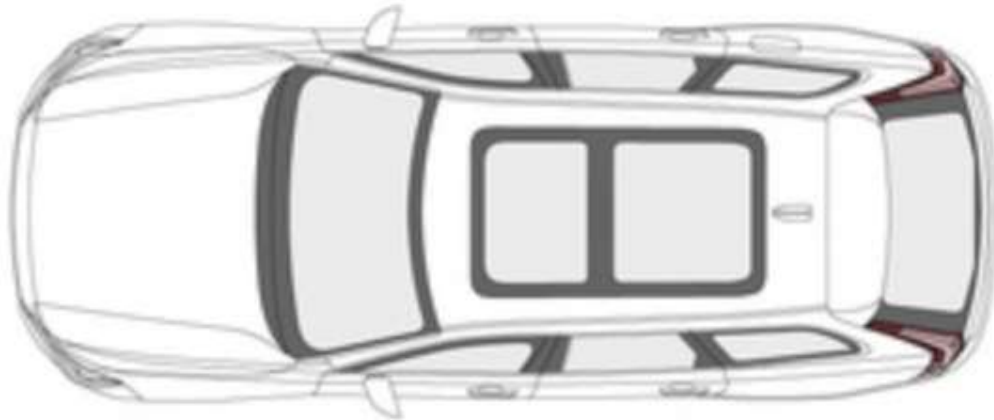
Place the rubber strips on the following location on top of the mounting brackets.





4. Placement on the vehicle

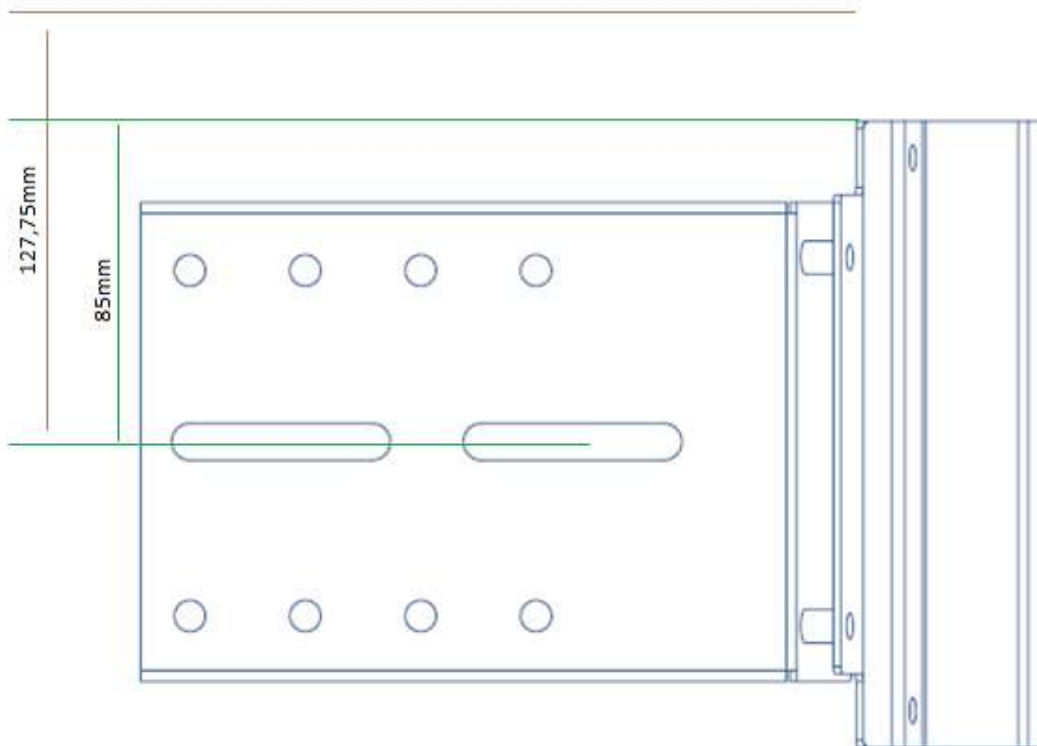
Determin the location on top of the vehicle.



Distance between center mounting bracket and back of the signalling panel is 127,75mm

Distance between center mounting bracket and end of roof rail is 85mm

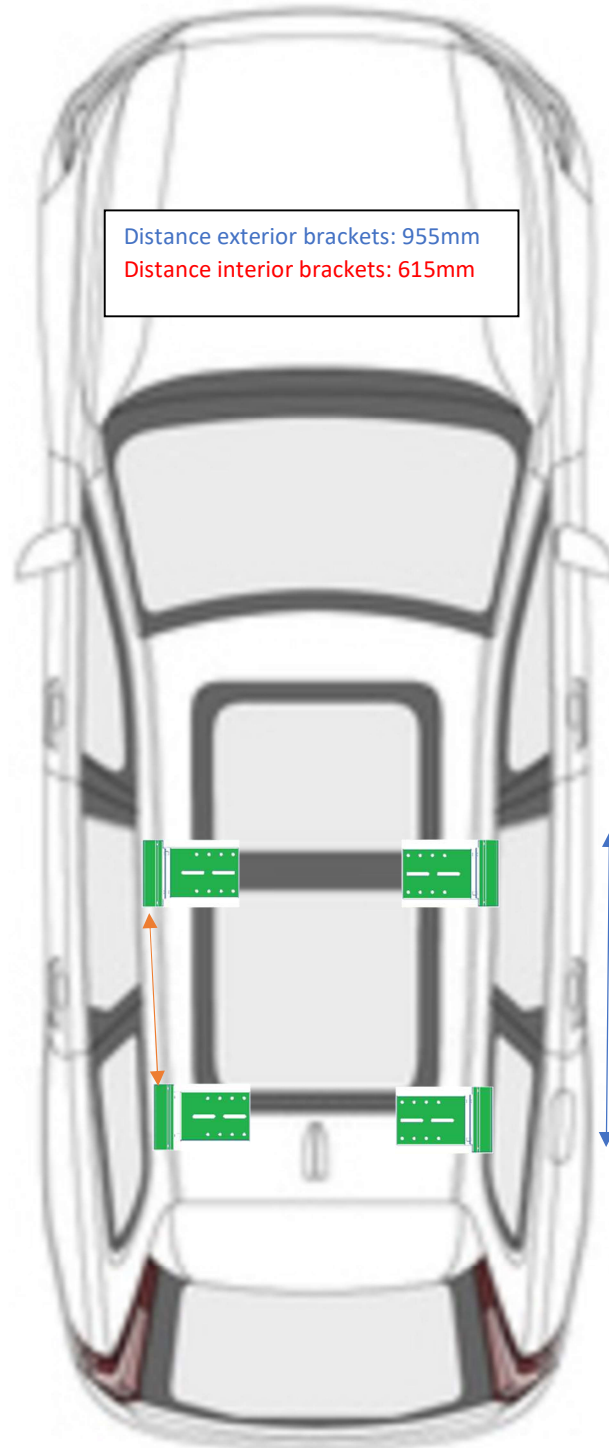
Distance between end roof rail and back signalling panel is 42,75mm





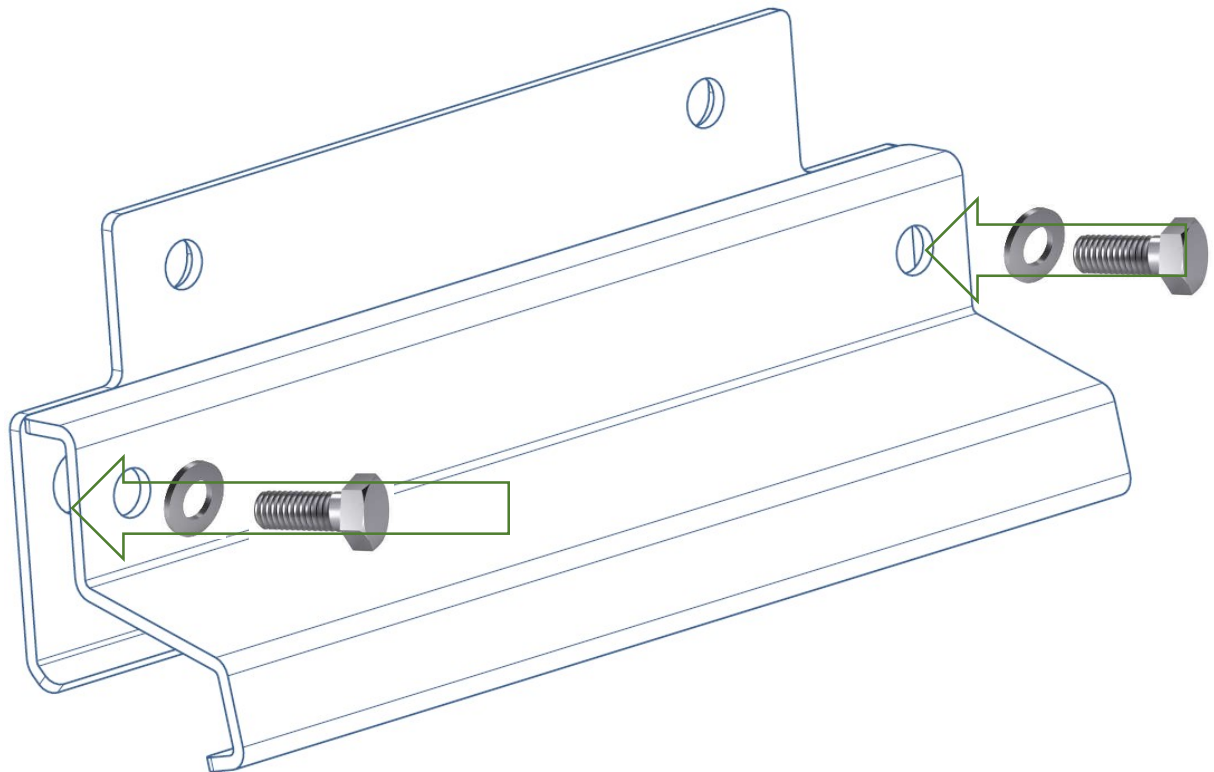


Both supports are heading towards the middle of the roof.





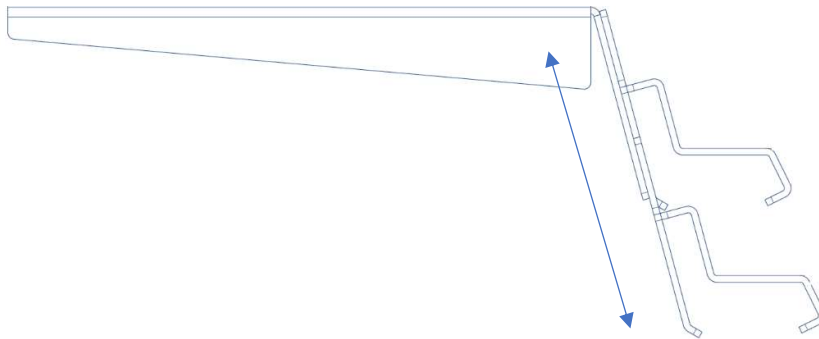
Tighten the bolts below with a torque wrench (8Nm)



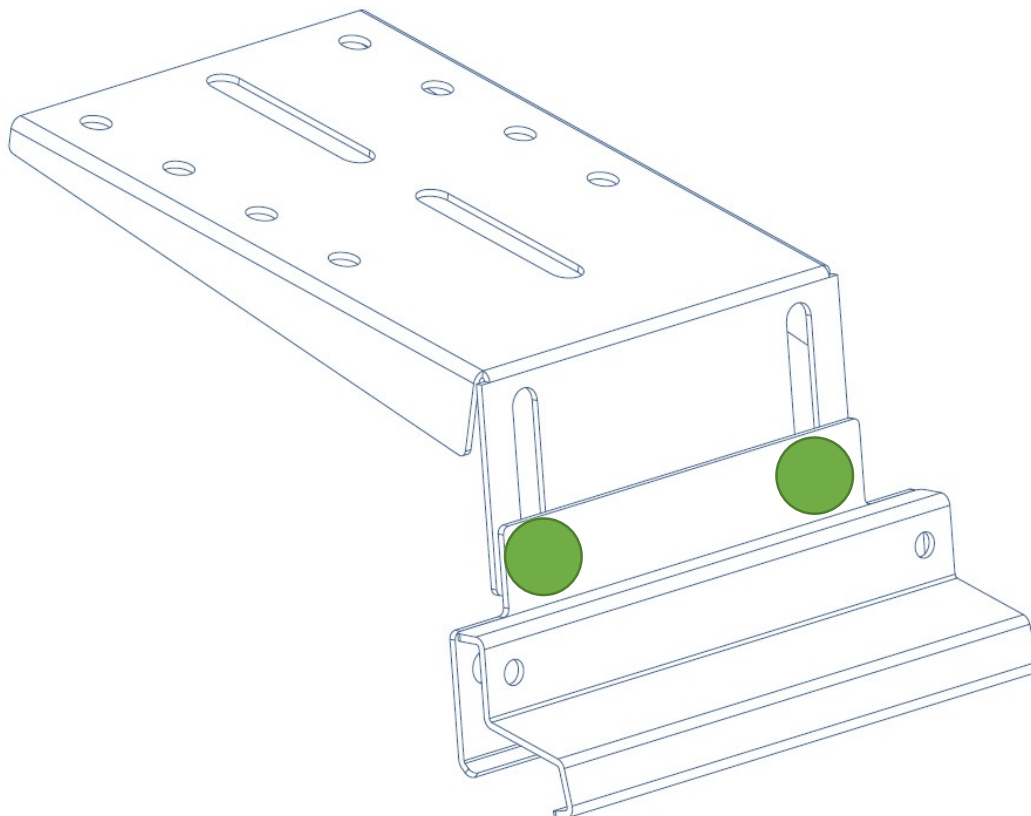


*Instruction Manual*  
*Mounting Kit Volvo V90/XC90 ↔ Arrow 6*  
**15078**

Adjust the height by moving the roof rail support like below.

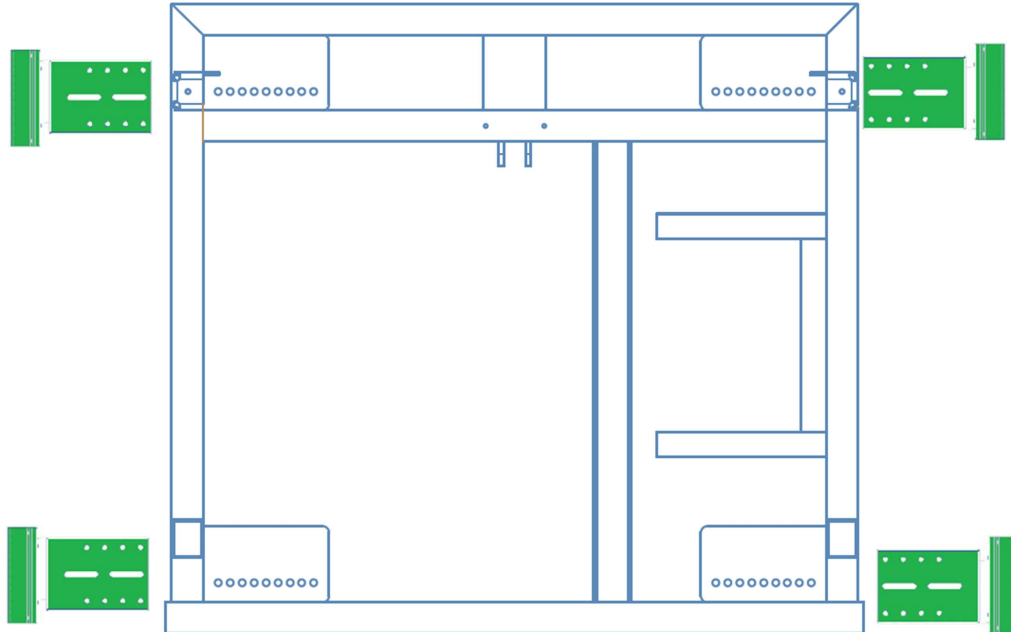


Tighten the bolt with a torque of **at least 9,2Nm and max 9,9Nm**



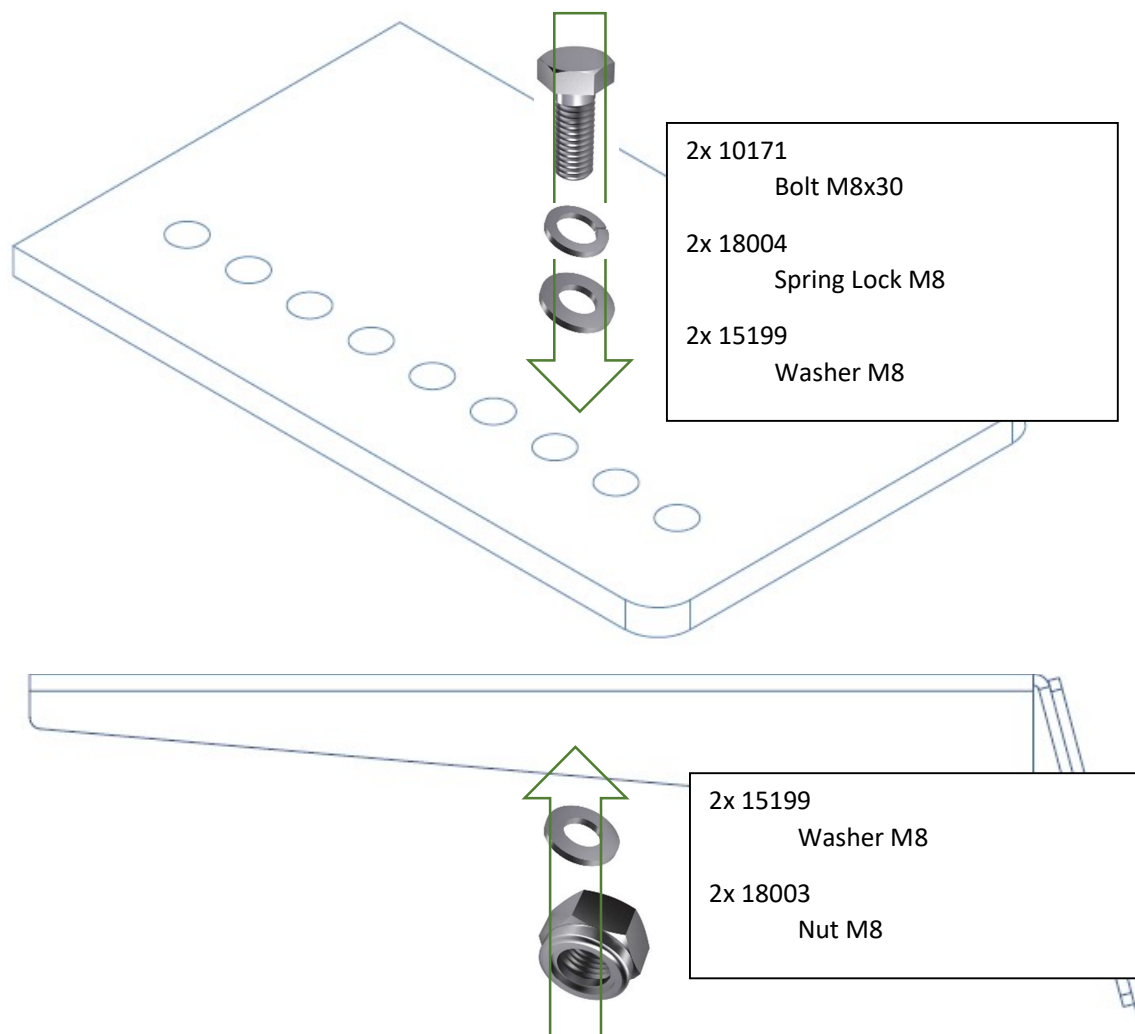


Place the signalling panel on the 4 mounting kits.





Mount the signalling panel using the following mechanical fasteners like the picture below:



Tighten the bolt with a torque of **at least 22,3Nm and max 24Nm**