



Instruction Manual

Mounting Kit Volvo V90/XC90 ↔ Lightbar

15078





Instruction Manual

Mounting Kit Volvo V90/XC90 ↔ Lightbar

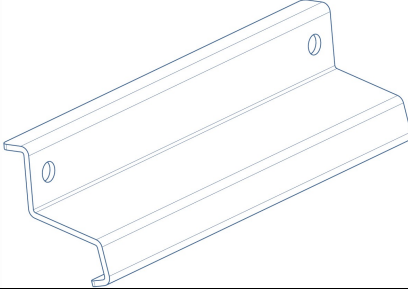
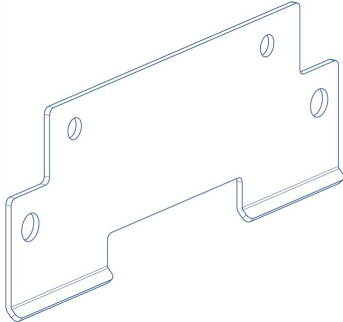
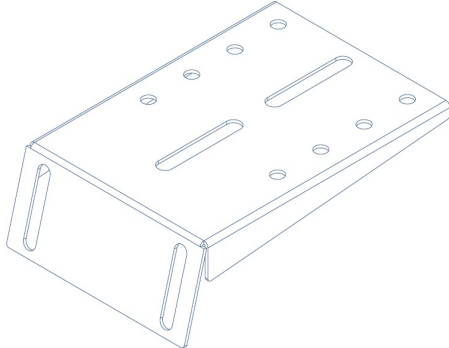
15078

1. Objective

This instruction manual has an objective to assemble the mounting kit correctly onto a Volvo V90/XC90.

Those supports has to be assembled to the integrated roof rails of the vehicle. The wanted lightbar will be placed on this mounting kit.

2. Necessities

Article Code	Description	Stock Locatie	Qty	Unit
TDLAR012001.01			2	Pcs
				
TDLAR012002.01			2	Pcs
				
TDLAR012003.01			2	pcs
				



Instruction Manual

Mounting Kit Volvo V90/XC90 ↔ Lightbar

15078

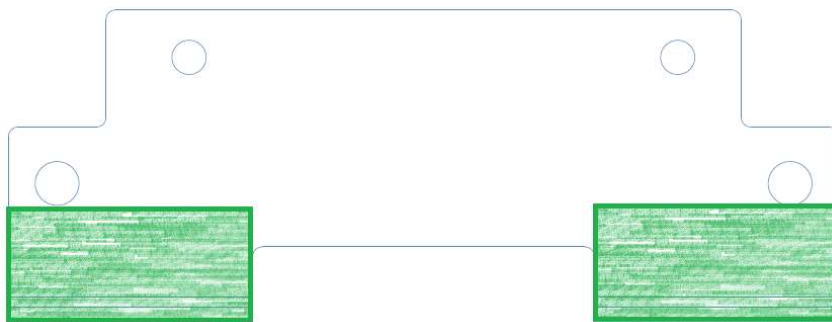
10166	Hexagon Head Bolt DIN933 M6X30 INOX 70	A3-1	4	pcs
10361	Plain Washer DIN 125A M6 RVS/Inox	A3-1	8	pcs
10165	Hexagon Head Bolt DIN933 M6X20 INOX 8.8	A3-1	4	pcs
10384	Prevailing Torque type Hexagon nut DIN985 (1987) M6 Inox A2	A3-1	4	pcs
15580	Plain Washer 3xd DIN9021 M6 Inox A2	A1-5	4	pcs
10362	Spring lock Washer with square ends DIN127B M6 INOX A2	A3-1	4	Pcs
15492	Rubber strip 1200mm x 50mm x 1mm		(2x) 170	mm
15673	Rubber strip 1200mm x 40mm x 1mm		(2x) 2x 50	mm



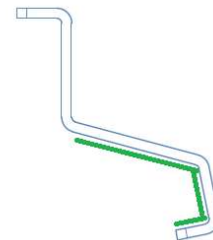
3. Preparation

a. Rubber strips

i. TDLAR012002.01 with 15673 (2x)



ii. TDLAR012001.01 with 15492 (2x)

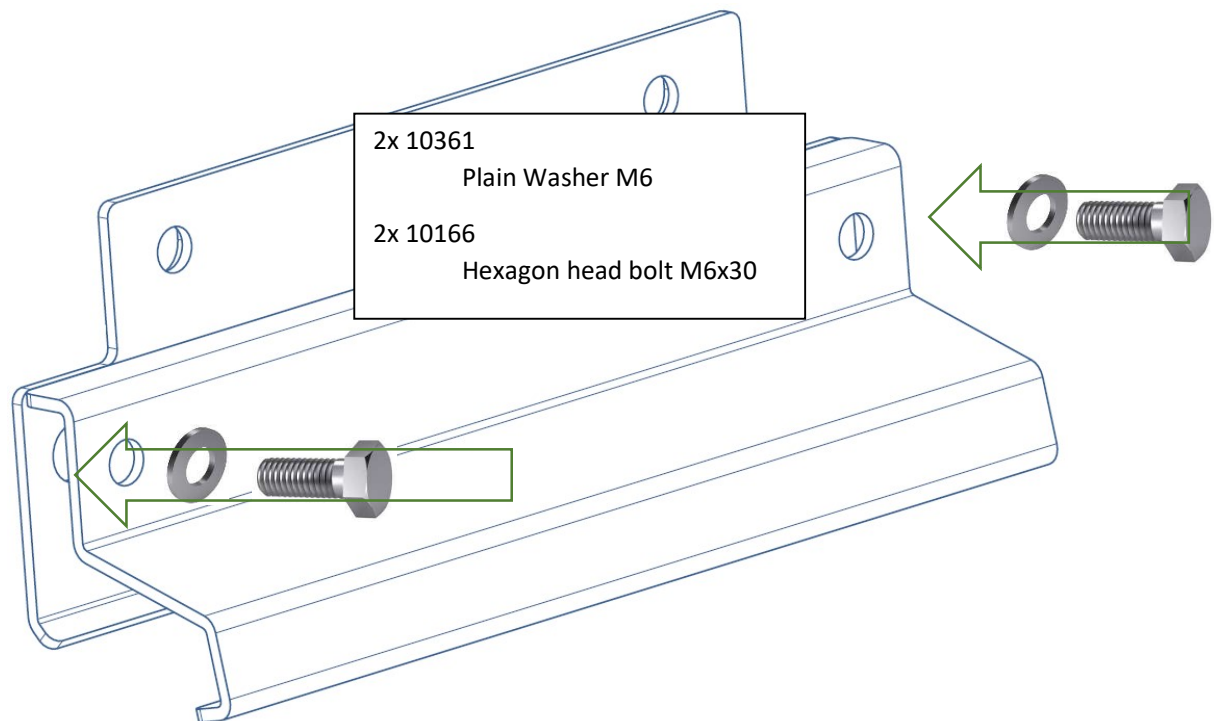




b. Roof rail support (2x)

Use the following items:

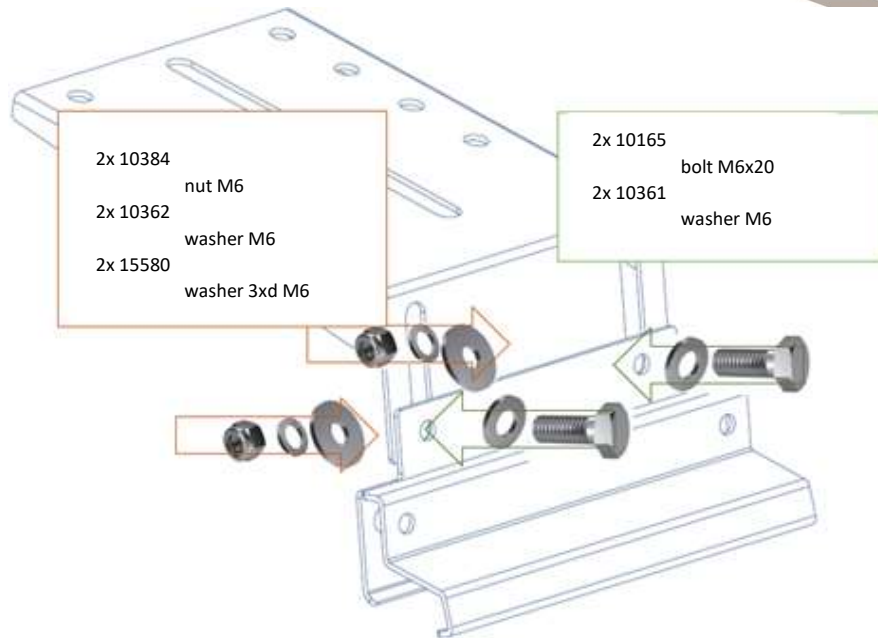
- TDLAR012001.01
- TDLAR012002.01



Attention: Do not tighten the bolts



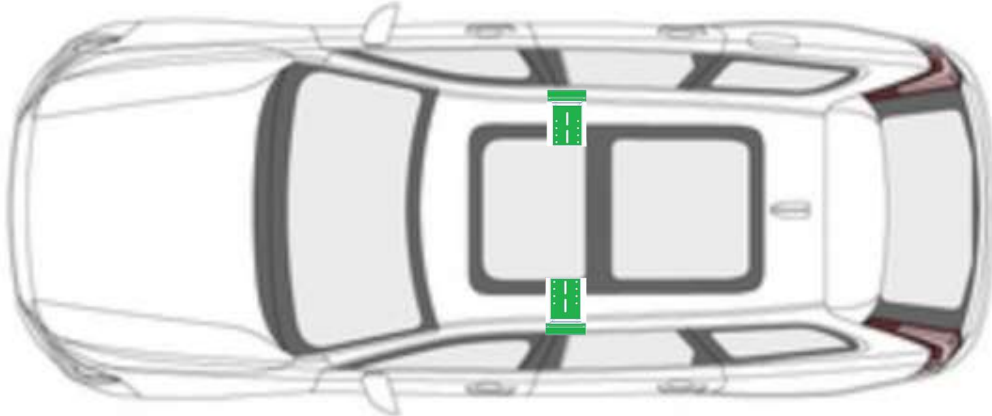
c. Mounting support (2x)





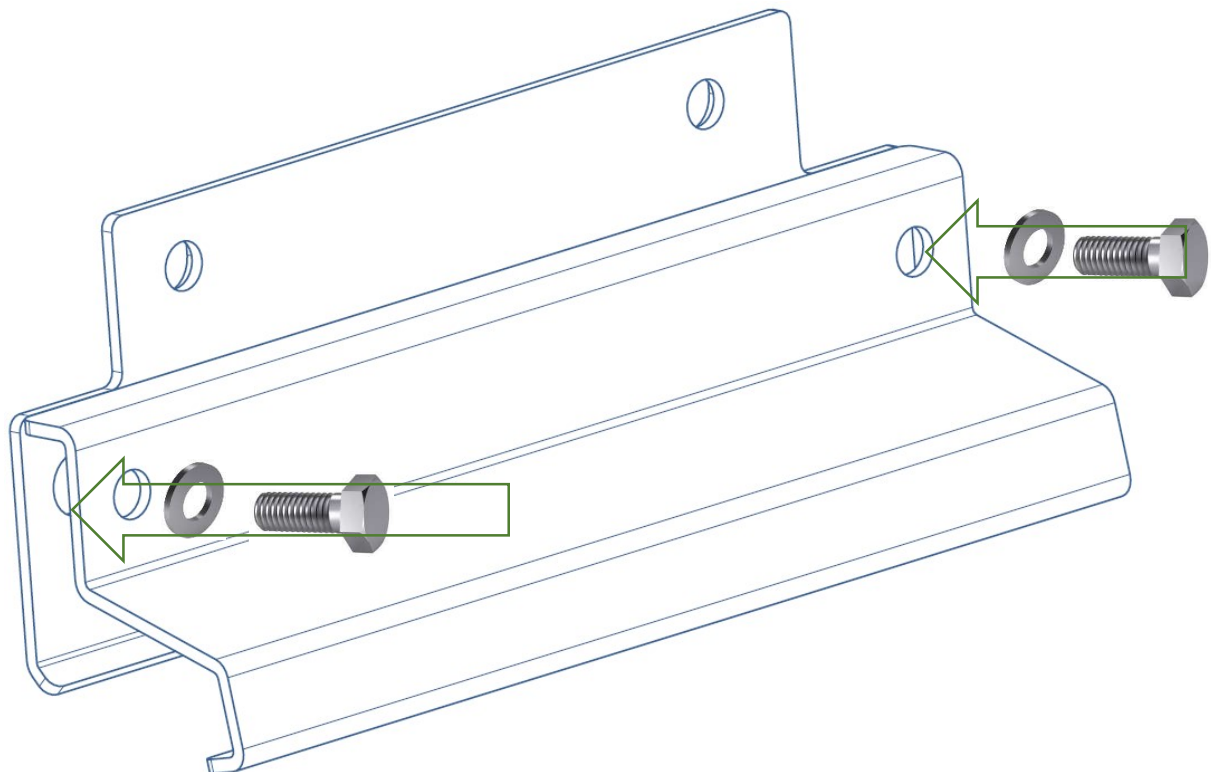
4. Placement on vehicle

Determine the location of the lightbar on the roof of the car.



Both supports are heading towards the middle of the roof.

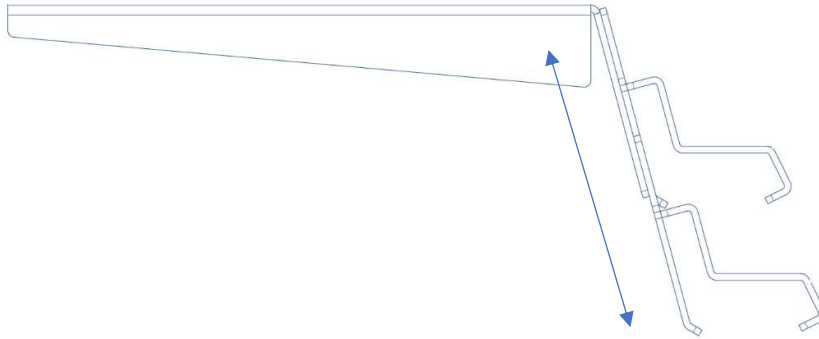
Tighten the bolts below with a torque wrench (8Nm)



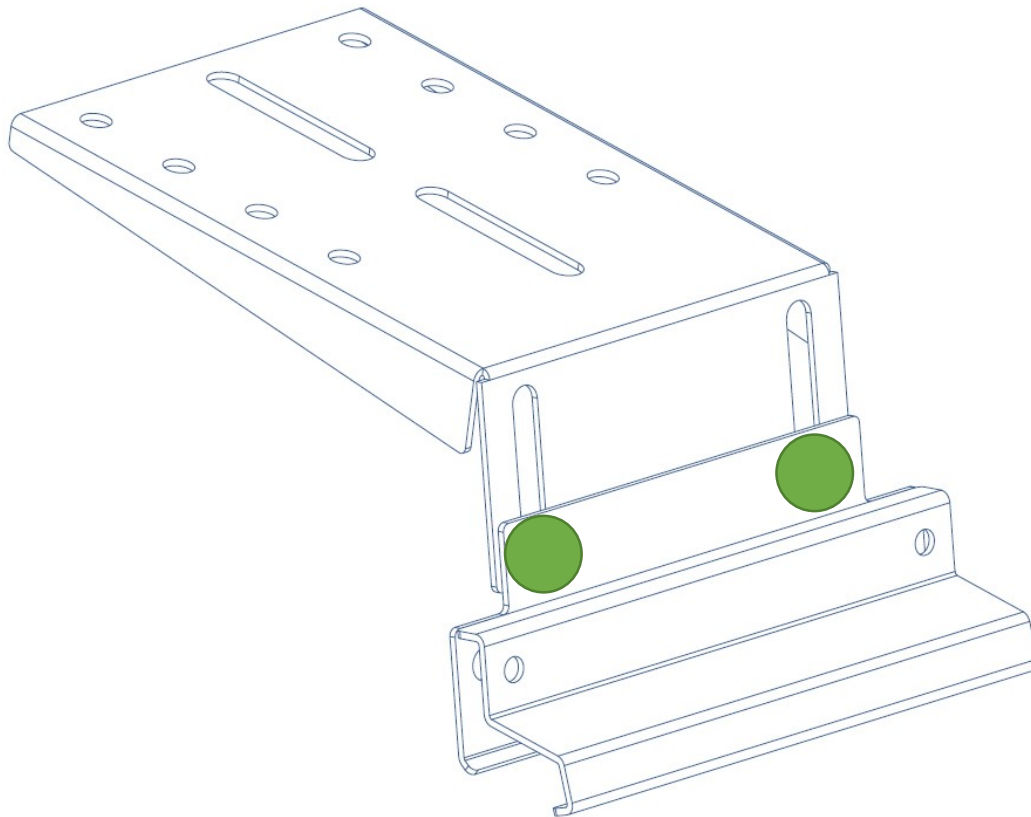


Instruction Manual
Mounting Kit Volvo V90/XC90 ↔ Lightbar
15078

Adjust the height by moving the roof rail support like below.



Tighten the bolt with a torque of **at least 9,2Nm and max 9,9Nm**



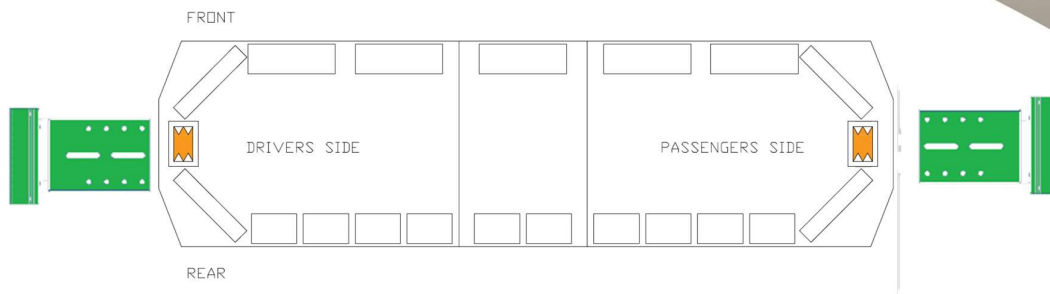


Instruction Manual

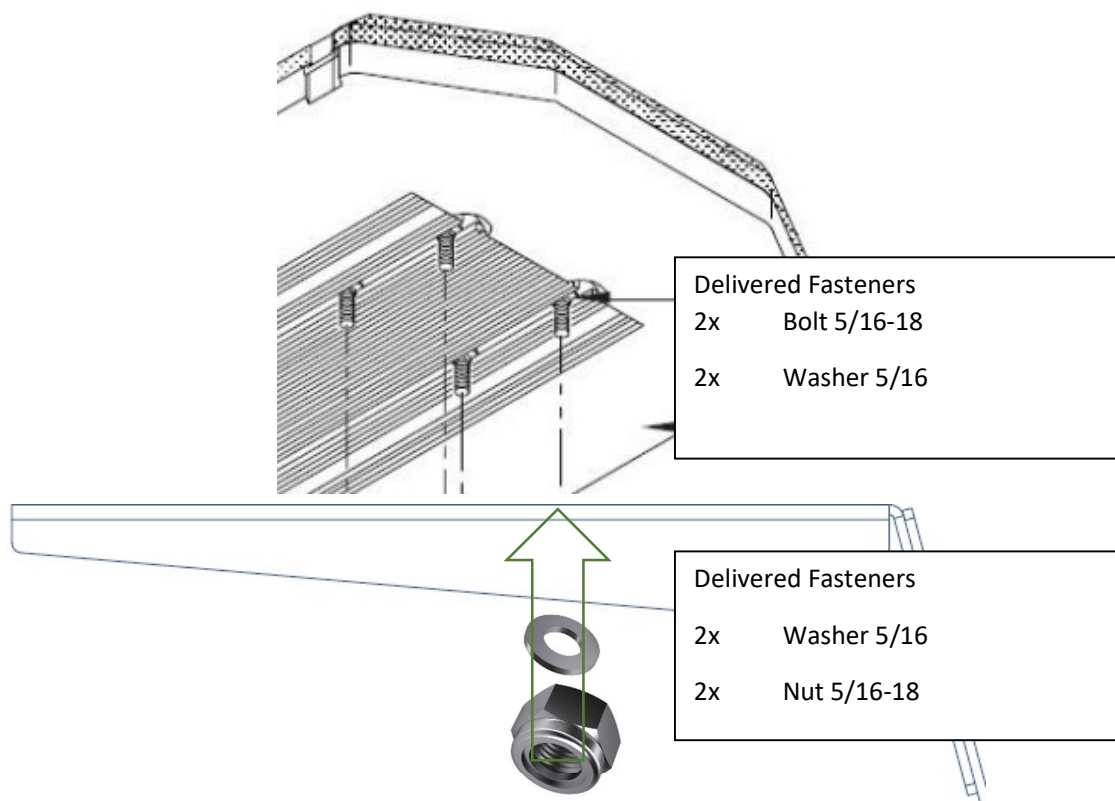
Mounting Kit Volvo V90/XC90 ↔ Lightbar

15078

Place the lightbar on the 2 mounting kits.



Mount the lightbar using the delivered mechanical fasteners like the picture below:



Tighten the bolt with a torque of **at least 22,3Nm and max 24Nm**